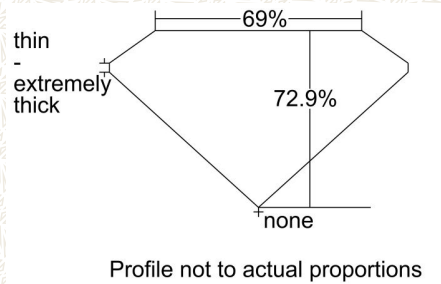


**GIA COLORED DIAMOND REPORT**

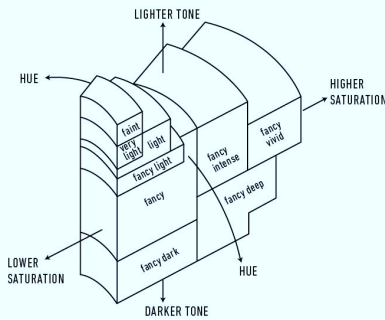
January 19, 2015  
 Report Type ..... Grading Report  
 GIA Report Number ..... 2165841558  
 Shape and Cutting Style . Cut-Cornered Square Modified Brilliant  
 Measurements ..... 4.53 x 4.32 x 3.15 mm  
 Carat Weight ..... 0.59 carat  
 Color Grade ..... Fancy Light Yellow  
 Color Origin ..... Natural  
 Color Distribution ..... Even  
 Clarity Grade ..... VVS2  
 Proportions:



Polish ..... Very Good  
 Symmetry ..... Good  
 Fluorescence ..... Faint  
 Inscription(s): GIA 2165841558  
 Comments: Surface graining is not shown.

**ADDITIONAL INFORMATION**

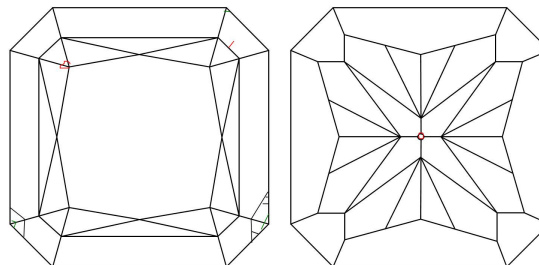
**GIA COLORED DIAMOND SCALE**



**GIA CLARITY SCALE**

FLAWLESS
INTERNALLY FLAWLESS
VVS <sub>1</sub>
VVS <sub>2</sub>
VS <sub>1</sub>
VS <sub>2</sub>
SI <sub>1</sub>
SI <sub>2</sub>
I <sub>1</sub>
I <sub>2</sub>
I <sub>3</sub>

**CLARITY CHARACTERISTICS**



**KEY TO SYMBOLS\***

-  Feather
-  Chip
-  Natural
-  Extra Facet

\* Red symbols denote internal characteristics (inclusions). Green or black symbols denote external characteristics (blemishes). Diagram is an approximate representation of the diamond, and symbols shown indicate type, position, and approximate size of clarity characteristics. All clarity characteristics may not be shown. Details of finish are not shown.



[reportcheck.gia.edu](http://reportcheck.gia.edu)



The results documented in this report refer only to the diamond described, and were obtained using the techniques and equipment used by GIA at the time of examination. This report is not a guarantee or valuation. For additional information and important limitations and disclaimers, please see [www.gia.edu/terms](http://www.gia.edu/terms) or call +1 800 421 7250 or +1 760 603 4500. ©2014 Gemological Institute of America, Inc.

 THE SECURITY FEATURES IN THIS DOCUMENT, INCLUDING THE HOLOGRAM, SECURITY SCREEN AND MICROPRINT LINES, IN ADDITION TO THOSE NOT LISTED, EXCEED DOCUMENT SECURITY INDUSTRY GUIDELINES.